

DURA[®] SRWS Short Retaining Wall System

Description

DURA[®] SRWS Short Retaining Wall System is an ultra-light-weight and highly durable L-shaped cantilever wall manufactured using ultra-high performance 'ductile' concrete (UHPdC). Each wall has a standard length of 2 m (other length can be customized upon special request). **DURA[®] SRWS** comes with two standard heights (i.e. 1.5m and 2.5m).

DURA[®] SRWS can be used as earth retaining structure or drain construction; marine wall for erosion protection for sea-shore and other application where durable system is required.

Features

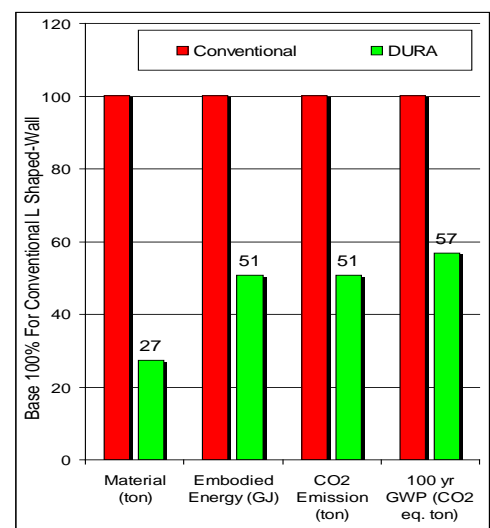
- **DURA[®] SRWS** is a cantilever retaining wall which consists of two thin wall panels of 30 mm to 40 mm in thickness and dual-ribbed reinforced beams at the stem and base of the walls.
- The UHPdC used for the **DURA[®] SRWS** has mean compressive strength ranges between 130 to 150 MPa, and modulus of rupture over 15 MPa.
- **DURA[®] SRWS** has minimal use of steel reinforcement. No crack control steel bar and secondary reinforcement are need, instead, very high steel fiber is used. The steel fibers used are made from high carbon steel wires with tensile strength of 2300 MPa.
- Multiple numbers of 50mm diameter weep holes are provided.

Advantages of DURA[®] SRWS

- **DURA[®] SRWS** is highly durable. It is therefore suitable for use in extremely aggressive environments such as marine environments or chemically active plants.
- **DURA[®] SRWS** is easy to install due to its ultra-light weight property. Pre-positioned bolts & nuts system can be used to fasten the walls together to ensure alignment and continuity of the walls (except some grout maybe needed for uneven floor base).
- Special skew angle can be customized at the floor base panel to accommodate none-straight alignment profile.
- No scaffolding, props or formwork are required over the entire installation, thus reducing construction site activities, improving safety margins and eliminating in-situ casting work.
- **DURA[®] SRWS** is many times lighter than conventional R.C. wall system.
- **DURA[®] SRWS** is guaranteed to be volumetrically stable.
- **DURA[®] SRWS** is not only chemical-weather-proof, but can be also customized to be fire-proof.
- **DURA[®] SRWS** is aesthetically pleasing as its finish surface is smooth.
- **DURA[®] SRWS** is a "GREEN" product that supports the visionary of sustainable development by reducing the consumption of raw material, embodied energy (EE), CO₂ emissions and global warming potential (GWP).



DURA[®] SRWS25/20.



Environmental Impact Comparison

DURA[®] SRWS

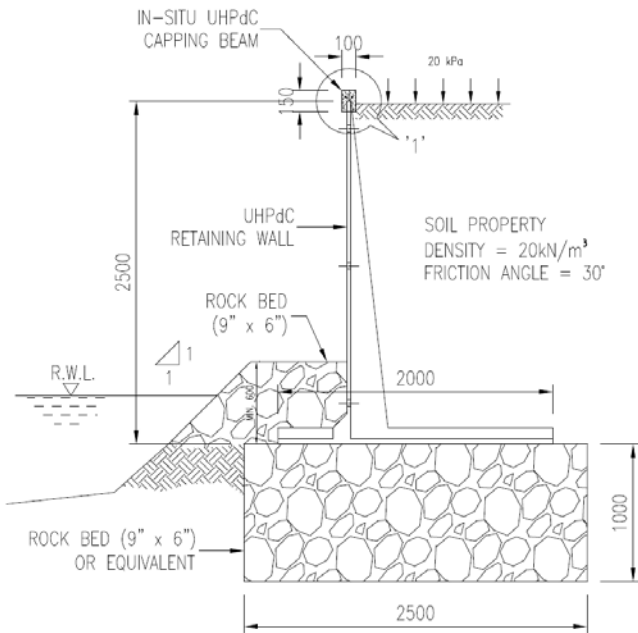
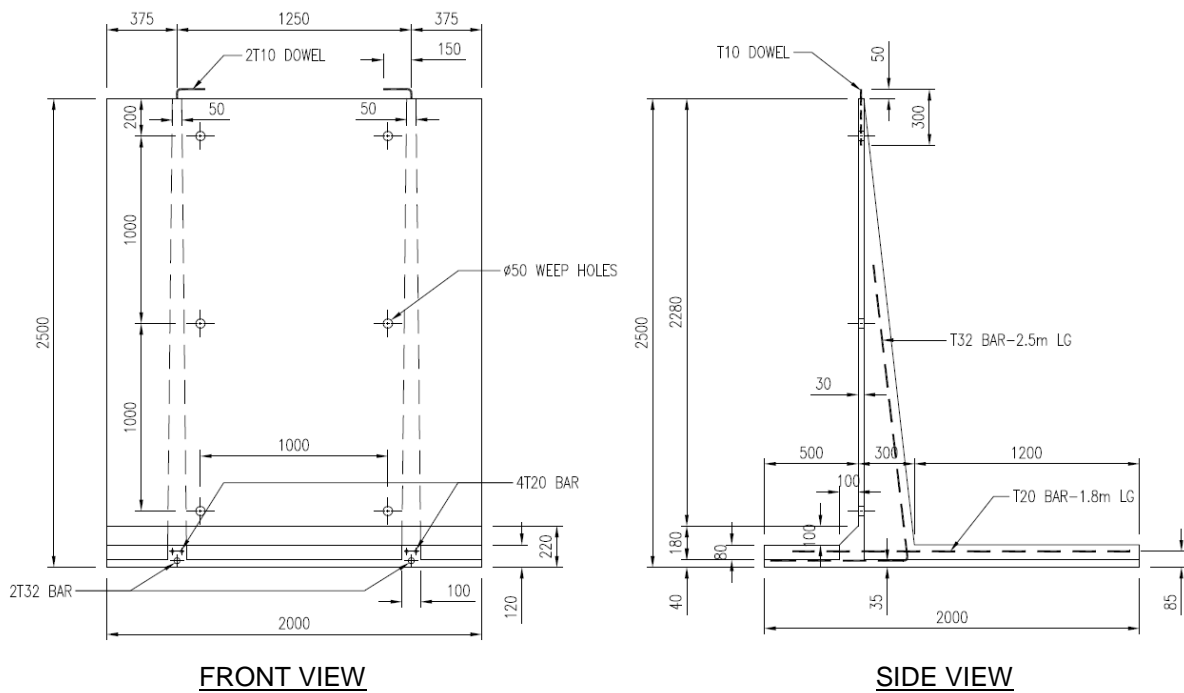


Table 1 : Technical Data DURA[®] SRWS

	Symbol	Unit	SRWS25/20
Total Height	H	m	2.5
Total Base Width	B	m	2.0
Total Length	L	m	2.0
Panel Thickness	T	mm	30 – 40 mm
Self Weight	W	kg/m (kg/pc)	600 (1200)

Note: DURA[®] SRWS is designed to withstand up to 20kPa surcharged load.

DURA SHORT RETAINING WALL SYSTEM



APPLICATIONS

Dura[®] SRWS25/20 can be used in a number of ways such as:

1. Monsoon drain construction composite with in-situ RC deck (see **Example 1**);
2. General purpose retaining wall (see **Example 2**); and
3. Bridge abutment wingwall (see **Example 3**).



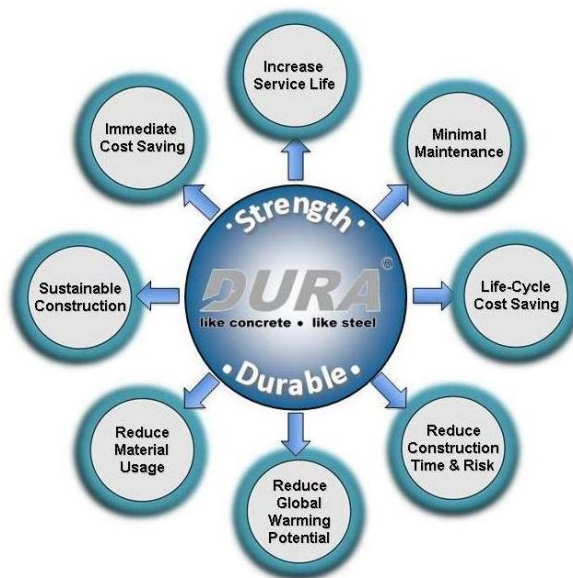
Example 1



Example 2



Example 3



Copyrights : Under copyright law, this document may not be copied, reproduced, translated or reduced to any electronic medium or machine readable form, in whole or in part, without prior written consent of Dura Technology Sdn Bhd.

Disclaimer : Dura Technology Sdn Bhd may make improvements and/ or changes to the product described in this data sheet at any time. The data sheet is not part of the documentation for a specific version or release of the product, but will be updated periodically.

Dura Technology Sdn. Bhd. (721531-A)
 Lot 304993, Jalan Chepor 11/8, Pusat Seramik Fasa 2, Ulu Chepor, 31200, Chemor, Perak, Malaysia.
 T: + (605) 2016813, 2016823 F: + (605) 2016833 W: www.dura.com.my E: dura@dura.com.my